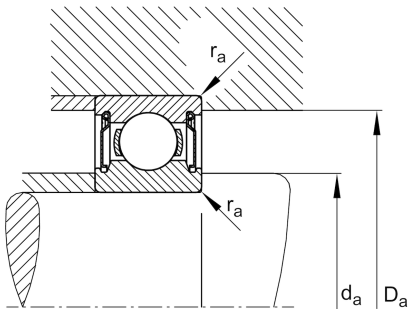
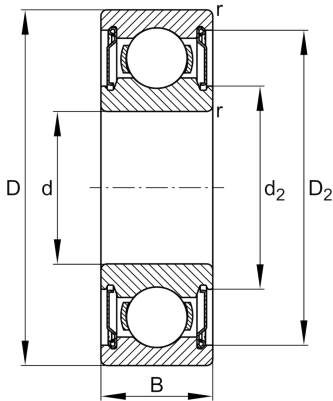
**FAG****6304-H-2Z**

Deep groove ball bearing

Schaeffler ID:  
0937960720000

Deep groove ball bearing 63..-H-2Z, single row, H-Series, shields, steel sheet metal cage

## Technical information

**Temperature range**

$T_{min}$	-20 °C	Operating temperature min.
$T_{max}$	120 °C	Operating temperature max.
	0,14 kg	Weight

**Main Dimensions & Performance Data**

d	20 mm	Bore diameter
D	52 mm	Outside diameter
B	15 mm	Width
$C_r$	15.940 N	Basic dynamic load rating, radial
$C_{0r}$	7.880 N	Basic static load rating, radial
$C_{ur}$	470 N	Fatigue load limit, radial
$n_G$	16.800 1/min	Limiting speed
$n_{gr}$	14.400 1/min	Reference speed

**Dimensions**

$r_{min}$	1,1 mm	Minimum chamfer dimension
$D_2$	44,4 mm	Caliber diameter outer ring
$d_2$	28 mm	Caliber diameter inner ring

**Mounting dimensions**

$d_{a min}$	27 mm	Minimum diameter shaft shoulder
$D_{a max}$	45 mm	Maximum diameter of housing shoulder
$r_{a max}$	1,1 mm	Maximum fillet radius

**Calculation factors**

$f_0$	12,4	Calculation factor
-------	------	--------------------