

FAG

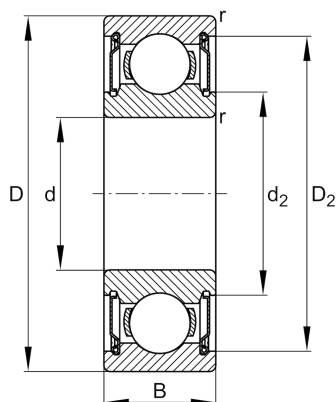
**6303-H-2Z**

Deep groove ball bearing

Schaeffler ID:  
0937952970000

Deep groove ball bearing 63..-H-2Z, single row, H-Series, shields, steel sheet metal cage

## Technical information

**Main Dimensions & Performance Data**

d	17 mm	Bore diameter
D	47 mm	Outside diameter
B	14 mm	Width
$C_r$	13.580 N	Basic dynamic load rating, radial
$C_{0r}$	6.580 N	Basic static load rating, radial
$C_{ur}$	390 N	Fatigue load limit, radial
$n_G$	18.700 1/min	Limiting speed
$n_{gr}$	15.500 1/min	Reference speed
	0,113 kg	Weight

**Dimensions**

$r_{min}$	1 mm	Minimum chamfer dimension
$D_2$	40,1 mm	Caliber diameter outer ring
$d_2$	25,2 mm	Caliber diameter inner ring

**Mounting dimensions**

$d_{amin}$	22,6 mm	Minimum diameter shaft shoulder
$D_{amax}$	41,4 mm	Maximum diameter of housing shoulder
$r_{amax}$	1 mm	Maximum fillet radius

**Calculation factors**

$f_0$	12,3	Calculation factor
-------	------	--------------------

**Temperature range**

$T_{min}$	-20 °C	Operating temperature min.
$T_{max}$	120 °C	Operating temperature max.

