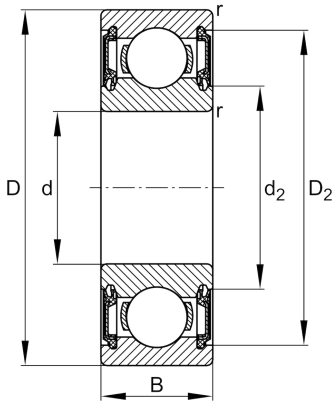
**FAG****6303-H-2RSR**

Deep groove ball bearing

Schaeffler ID:
0938689790000Deep groove ball bearing 63..-H-2RSR,
single row, H-Series, seals, steel sheet
metal cage

Technical information

**Main Dimensions & Performance Data**

d	17 mm	Bore diameter
D	47 mm	Outside diameter
B	14 mm	Width
C_r	13.580 N	Basic dynamic load rating, radial
C_{0r}	6.580 N	Basic static load rating, radial
C_{ur}	390 N	Fatigue load limit, radial
n_G	10.000 1/min	Limiting speed
	0,113 kg	Weight

Dimensions

r_{min}	1 mm	Minimum chamfer dimension
D_2	40,1 mm	Caliber diameter outer ring
d_2	25,2 mm	Caliber diameter inner ring

Mounting dimensions

$d_{a min}$	22,6 mm	Minimum diameter shaft shoulder
$D_{a max}$	41,4 mm	Maximum diameter of housing shoulder
$r_{a max}$	1 mm	Maximum fillet radius

Calculation factors

f_0	12,3	Calculation factor
-------	------	--------------------

Temperature range

T_{min}	-20 °C	Operating temperature min.
T_{max}	110 °C	Operating temperature max.

