

FAG

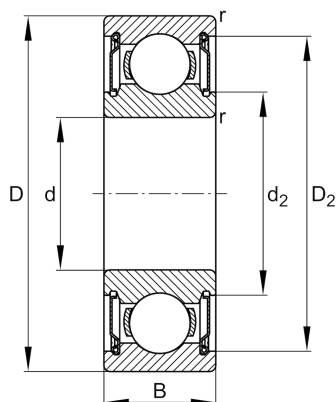
6301-H-2Z

Deep groove ball bearing

Schaeffler ID:
0937919250000

Deep groove ball bearing 63..-H-2Z, single row, H-Series, shields, steel sheet metal cage

Technical information

**Main Dimensions & Performance Data**

d	12 mm	Bore diameter
D	37 mm	Outside diameter
B	12 mm	Width
C_r	7.690 N	Basic dynamic load rating, radial
C_{0r}	3.500 N	Basic static load rating, radial
C_{ur}	202 N	Fatigue load limit, radial
n_G	26.000 1/min	Limiting speed
n_{gr}	20.900 1/min	Reference speed
	0,064 kg	Weight

Dimensions

r_{min}	1 mm	Minimum chamfer dimension
D_2	30 mm	Caliber diameter outer ring
d_2	18,7 mm	Caliber diameter inner ring

Mounting dimensions

$d_{a min}$	17,6 mm	Minimum diameter shaft shoulder
$D_{a max}$	31,4 mm	Maximum diameter of housing shoulder
$r_{a max}$	1 mm	Maximum fillet radius

Calculation factors

f_0	12,4	Calculation factor
-------	------	--------------------

Temperature range

T_{min}	-20 °C	Operating temperature min.
T_{max}	120 °C	Operating temperature max.

