

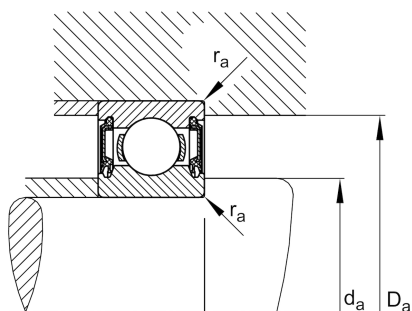
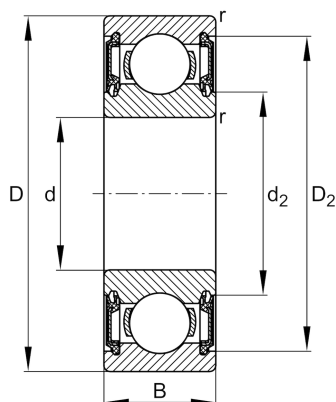
FAG

**6300-H-2RSR**

Deep groove ball bearing

Schaeffler ID:  
0938684640000Deep groove ball bearing 63..-H-2RSR,  
single row, H-Series, seals, steel sheet  
metal cage

## Technical information

**Temperature range**

$T_{min}$	-20 °C	Operating temperature min.
$T_{max}$	110 °C	Operating temperature max.
	0,057 kg	Weight

**Main Dimensions & Performance Data**

d	10 mm	Bore diameter
D	35 mm	Outside diameter
B	11 mm	Width
$C_r$	7.650 N	Basic dynamic load rating, radial
$C_{0r}$	3.470 N	Basic static load rating, radial
$C_{ur}$	199 N	Fatigue load limit, radial
$n_G$	13.800 1/min	Limiting speed

**Dimensions**

$r_{min}$	0,6 mm	Minimum chamfer dimension
$D_2$	29,4 mm	Caliber diameter outer ring
$d_2$	17,8 mm	Caliber diameter inner ring

**Mounting dimensions**

$d_{a min}$	14,2 mm	Minimum diameter shaft shoulder
$D_{a max}$	30,8 mm	Maximum diameter of housing shoulder
$r_{a max}$	0,6 mm	Maximum fillet radius

**Calculation factors**

$f_0$	12,3	Calculation factor
-------	------	--------------------