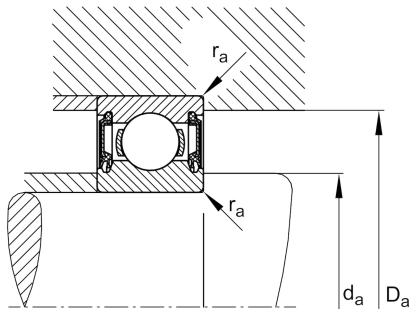
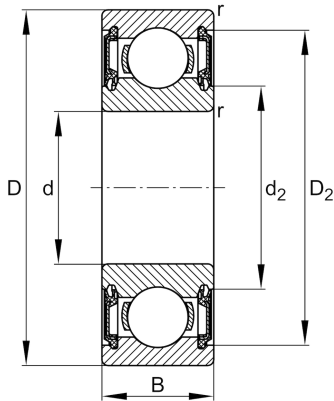


FAG**6210-H-2RSR**

Deep groove ball bearing

Schaeffler ID:
0938562700000Deep groove ball bearing 62...-H-2RSR,
single row, H-Series, seals, steel sheet
metal cage

Technical information

**Temperature range**

T_{\min}	-20 °C	Operating temperature min.
T_{\max}	110 °C	Operating temperature max.
	0,48 kg	Weight

Main Dimensions & Performance Data

d	50 mm	Bore diameter
D	90 mm	Outside diameter
B	20 mm	Width
C_r	35.070 N	Basic dynamic load rating, radial
C_{0r}	23.220 N	Basic static load rating, radial
C_{ur}	1.390 N	Fatigue load limit, radial
n_G	4.300 1/min	Limiting speed

Dimensions

r_{\min}	1,1 mm	Minimum chamfer dimension
D_2	80,2 mm	Caliber diameter outer ring
d_2	59,7 mm	Caliber diameter inner ring

Mounting dimensions

$d_{a \min}$	57 mm	Minimum diameter shaft shoulder
$D_{a \max}$	83 mm	Maximum diameter of housing shoulder
$r_{a \max}$	1,1 mm	Maximum fillet radius

Calculation factors

f_0	14,4	Calculation factor
-------	------	--------------------