

FAG

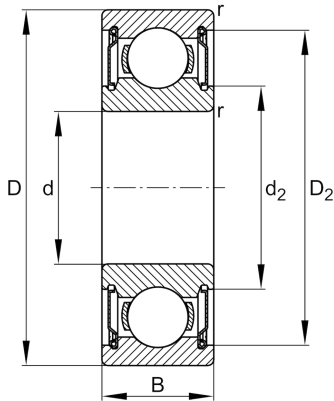
6209-H-2Z

Deep groove ball bearing

Schaeffler ID:
0938564820000

Deep groove ball bearing 62...-H-2Z, single row, H-Series, shields, steel sheet metal cage

Technical information

**Main Dimensions & Performance Data**

d	45 mm	Bore diameter
D	85 mm	Outside diameter
B	19 mm	Width
C_r	29.360 N	Basic dynamic load rating, radial
C_{0r}	19.190 N	Basic static load rating, radial
C_{ur}	1.170 N	Fatigue load limit, radial
n_G	9.800 1/min	Limiting speed
n_{gr}	8.800 1/min	Reference speed
	0,42 kg	Weight

Dimensions

r_{min}	1,1 mm	Minimum chamfer dimension
D_2	75,2 mm	Caliber diameter outer ring
d_2	54,7 mm	Caliber diameter inner ring

Mounting dimensions

d_{amin}	52 mm	Minimum diameter shaft shoulder
D_{amax}	78 mm	Maximum diameter of housing shoulder
r_{amax}	1,1 mm	Maximum fillet radius

Calculation factors

f_0	14,5	Calculation factor
-------	------	--------------------

Temperature range

T_{min}	-20 °C	Operating temperature min.
T_{max}	120 °C	Operating temperature max.

