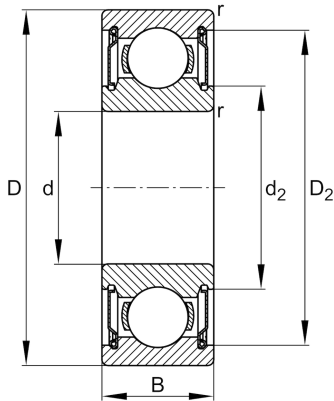
**FAG****6208-H-2Z**

Deep groove ball bearing

Schaeffler ID:  
0938566870000

Deep groove ball bearing 62...-H-2Z, single row, H-Series, shields, steel sheet metal cage

## Technical information

**Main Dimensions & Performance Data**

d	40 mm	Bore diameter
D	80 mm	Outside diameter
B	18 mm	Width
$C_r$	29.520 N	Basic dynamic load rating, radial
$C_{0r}$	18.140 N	Basic static load rating, radial
$C_{ur}$	1.060 N	Fatigue load limit, radial
$n_G$	10.400 1/min	Limiting speed
$n_{gr}$	9.300 1/min	Reference speed
	0,382 kg	Weight

**Dimensions**

$r_{min}$	1,1 mm	Minimum chamfer dimension
$D_2$	69,4 mm	Caliber diameter outer ring
$d_2$	51 mm	Caliber diameter inner ring

**Mounting dimensions**

$d_{amin}$	47 mm	Minimum diameter shaft shoulder
$D_{amax}$	73 mm	Maximum diameter of housing shoulder
$r_{amax}$	1,1 mm	Maximum fillet radius

**Calculation factors**

$f_0$	14	Calculation factor
-------	----	--------------------

**Temperature range**

$T_{min}$	-20 °C	Operating temperature min.
$T_{max}$	120 °C	Operating temperature max.

