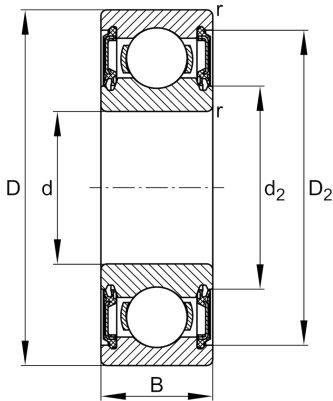
**FAG****6207-H-2RSR**

Deep groove ball bearing

Schaeffler ID:
0938587360000Deep groove ball bearing 62...H-2RSR,
single row, H-Series, seals, steel sheet
metal cage

Technical information

**Main Dimensions & Performance Data**

d	35 mm	Bore diameter
D	72 mm	Outside diameter
B	17 mm	Width
C_r	27.060 N	Basic dynamic load rating, radial
C_{0r}	15.330 N	Basic static load rating, radial
C_{ur}	900 N	Fatigue load limit, radial
n_G	5.900 1/min	Limiting speed
	0,301 kg	Weight

Dimensions

r_{min}	1,1 mm	Minimum chamfer dimension
D_2	63 mm	Caliber diameter outer ring
d_2	43,4 mm	Caliber diameter inner ring

Mounting dimensions

$d_{a min}$	42 mm	Minimum diameter shaft shoulder
$D_{a max}$	65 mm	Maximum diameter of housing shoulder
$r_{a max}$	1,1 mm	Maximum fillet radius

Calculation factors

f_0	13,3	Calculation factor
-------	------	--------------------

Temperature range

T_{min}	-20 °C	Operating temperature min.
T_{max}	110 °C	Operating temperature max.

