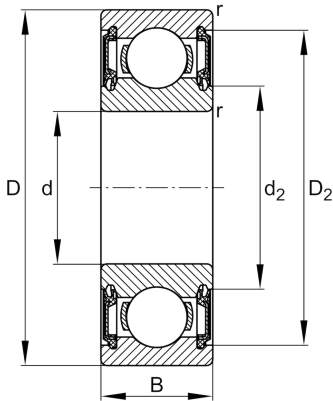
**FAG****6200-H-2RSR**

Deep groove ball bearing

Schaeffler ID:
0937949830000Deep groove ball bearing 62...-H-2RSR,
single row, H-Series, seals, steel sheet
metal cage

Technical information

**Temperature range**

T_{min}	-20 °C	Operating temperature min.
T_{max}	110 °C	Operating temperature max.
	0,032 kg	Weight

Main Dimensions & Performance Data

d	10 mm	Bore diameter
D	30 mm	Outside diameter
B	9 mm	Width
C_r	5.400 N	Basic dynamic load rating, radial
C_{0r}	2.390 N	Basic static load rating, radial
C_{ur}	126 N	Fatigue load limit, radial
n_G	15.400 1/min	Limiting speed

Dimensions

r_{min}	0,6 mm	Minimum chamfer dimension
D_2	25,3 mm	Caliber diameter outer ring
d_2	16,3 mm	Caliber diameter inner ring

Mounting dimensions

$d_{a min}$	14,2 mm	Minimum diameter shaft shoulder
$D_{a max}$	25,8 mm	Maximum diameter of housing shoulder
$r_{a max}$	0,6 mm	Maximum fillet radius

Calculation factors

f_0	13,2	Calculation factor
-------	------	--------------------

