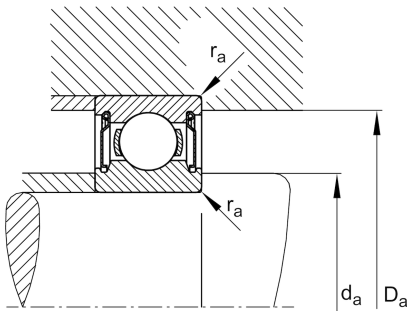
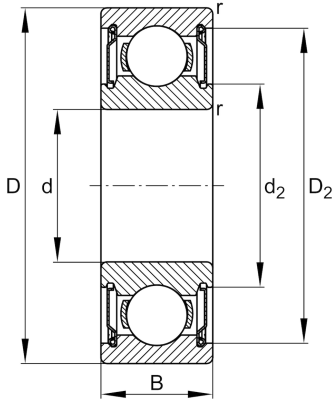
**FAG****6007-H-2Z**

Deep groove ball bearing

Schaeffler ID:
0938801110000

Deep groove ball bearing 60..-H-2Z, single row, H-Series, shields, steel sheet metal cage

Technical information

**Temperature range**

T_{min}	-20 °C	Operating temperature min.
T_{max}	120 °C	Operating temperature max.
	0,148 kg	Weight

Main Dimensions & Performance Data

d	35 mm	Bore diameter
D	62 mm	Outside diameter
B	14 mm	Width
C_r	15.980 N	Basic dynamic load rating, radial
C_{0r}	10.280 N	Basic static load rating, radial
C_{ur}	610 N	Fatigue load limit, radial
n_G	13.700 1/min	Limiting speed
n_{gr}	11.600 1/min	Reference speed

Dimensions

r_{min}	1 mm	Minimum chamfer dimension
D_2	55,9 mm	Caliber diameter outer ring
d_2	41,7 mm	Caliber diameter inner ring

Mounting dimensions

$d_{a min}$	39,6 mm	Minimum diameter shaft shoulder
$D_{a max}$	57,4 mm	Maximum diameter of housing shoulder
$r_{a max}$	1 mm	Maximum fillet radius

Calculation factors

f_0	14,8	Calculation factor
-------	------	--------------------