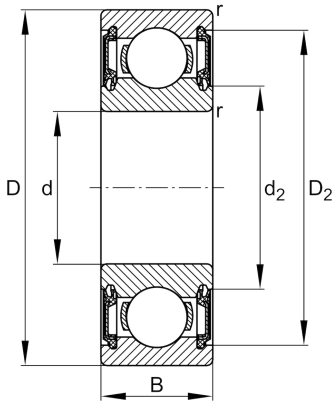
**FAG****6004-H-2RSR**

Deep groove ball bearing

Schaeffler ID:  
0938758940000Deep groove ball bearing 60..-H-2RSR,  
single row, H-Series, seals, steel sheet  
metal cage

## Technical information

**Temperature range**

$T_{min}$	-20 °C	Operating temperature min.
$T_{max}$	110 °C	Operating temperature max.
	0,071 kg	Weight

**Main Dimensions & Performance Data**

d	20 mm	Bore diameter
D	42 mm	Outside diameter
B	12 mm	Width
$C_r$	9.380 N	Basic dynamic load rating, radial
$C_{0r}$	5.030 N	Basic static load rating, radial
$C_{ur}$	300 N	Fatigue load limit, radial
$n_G$	9.900 1/min	Limiting speed

**Dimensions**

$r_{min}$	0,6 mm	Minimum chamfer dimension
$D_2$	37 mm	Caliber diameter outer ring
$d_2$	25,3 mm	Caliber diameter inner ring

**Mounting dimensions**

$d_{a min}$	23,2 mm	Minimum diameter shaft shoulder
$D_{a max}$	38,8 mm	Maximum diameter of housing shoulder
$r_{a max}$	0,6 mm	Maximum fillet radius

**Calculation factors**

$f_0$	13,9	Calculation factor
-------	------	--------------------

