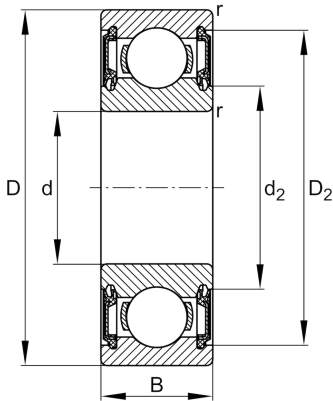
**FAG****6003-H-2RSR**

Deep groove ball bearing

Schaeffler ID:
0938754440000Deep groove ball bearing 60..-H-2RSR,
single row, H-Series, seals, steel sheet
metal cage

Technical information

**Temperature range**

T_{min}	-20 °C	Operating temperature min.
T_{max}	110 °C	Operating temperature max.
	0,04 kg	Weight

Main Dimensions & Performance Data

d	17 mm	Bore diameter
D	35 mm	Outside diameter
B	10 mm	Width
C_r	6.000 N	Basic dynamic load rating, radial
C_{0r}	3.240 N	Basic static load rating, radial
C_{ur}	198 N	Fatigue load limit, radial
n_G	11.700 1/min	Limiting speed

Dimensions

r_{min}	0,3 mm	Minimum chamfer dimension
D_2	31 mm	Caliber diameter outer ring
d_2	21,3 mm	Caliber diameter inner ring

Mounting dimensions

$d_{a min}$	19 mm	Minimum diameter shaft shoulder
$D_{a max}$	33 mm	Maximum diameter of housing shoulder
$r_{a max}$	0,3 mm	Maximum fillet radius

Calculation factors

f_0	14,3	Calculation factor
-------	------	--------------------

