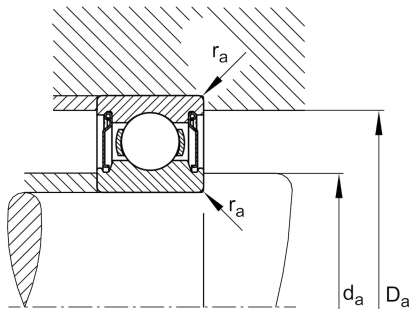
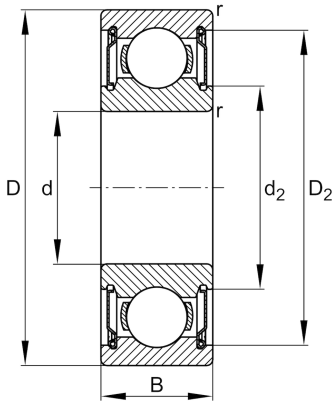
**FAG****6002-H-2Z**

Deep groove ball bearing

Schaeffler ID:  
0938754010000

Deep groove ball bearing 60..-H-2Z, single row, H-Series, shields, steel sheet metal cage

## Technical information

**Temperature range**

$T_{min}$	-20 °C	Operating temperature min.
$T_{max}$	120 °C	Operating temperature max.
	0,033 kg	Weight

**Main Dimensions & Performance Data**

d	15 mm	Bore diameter
D	32 mm	Outside diameter
B	9 mm	Width
$C_r$	5.850 N	Basic dynamic load rating, radial
$C_{0r}$	2.850 N	Basic static load rating, radial
$C_{ur}$	172 N	Fatigue load limit, radial
$n_G$	28.500 1/min	Limiting speed
$n_{gr}$	21.500 1/min	Reference speed

**Dimensions**

$r_{min}$	0,3 mm	Minimum chamfer dimension
$D_2$	27,98 mm	Caliber diameter outer ring
$d_2$	19,8 mm	Caliber diameter inner ring

**Mounting dimensions**

$d_{a min}$	17 mm	Minimum diameter shaft shoulder
$D_{a max}$	30 mm	Maximum diameter of housing shoulder
$r_{a max}$	0,3 mm	Maximum fillet radius

**Calculation factors**

$f_0$	14	Calculation factor
-------	----	--------------------