

FAG

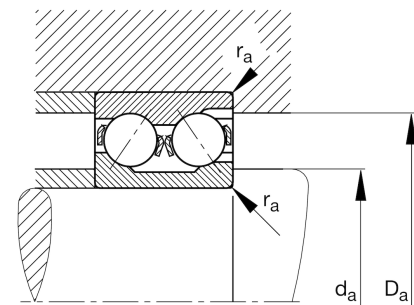
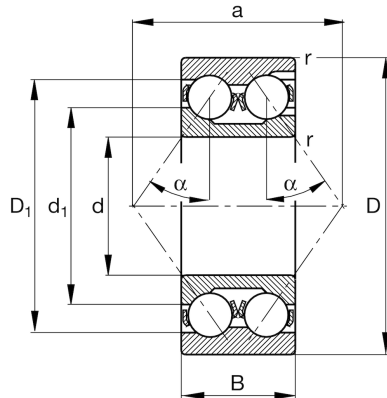
**3317-M**

Angular contact ball bearing

Schaeffler ID:  
0167139230000Angular contact ball bearing 33..-M, double  
row, 1 inner ring

## Technical information

## Main Dimensions &amp; Performance Data



d	85 mm	Bore diameter
D	180 mm	Outside diameter
B	73 mm	Width
$r_{\min}$	3 mm	Minimum chamfer dimension
$C_r$	229.000 N	Basic dynamic load rating, radial
$C_{0r}$	255.000 N	Basic static load rating, radial
$C_{ur}$	11.400 N	Fatigue load limit, radial
$n_G$	5.000 1/min	Limiting speed
$n_{gr}$	3.600 1/min	Reference speed
	8,41 kg	Weight

## Dimensions

$D_1$	160 mm	Shoulder diameter outer ring
$d_1$	119,6 mm	Shoulder diameter inner ring
a	131,5 mm	Distance between the apexes of the pressure cones
$\alpha$	35 °	Contact angle

## Mounting dimensions

$d_{a \min}$	99 mm	Minimum diameter shaft shoulder
$D_{a \max}$	166 mm	Maximum diameter of housing shoulder
$r_{a \max}$	2,5 mm	Maximum fillet radius

## Temperature range

$T_{\min}$	-30 °C	Operating temperature min.
$T_{\max}$	150 °C	Operating temperature max.