



FAG

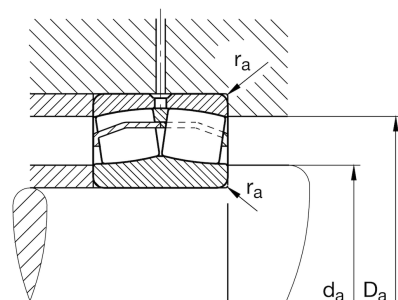
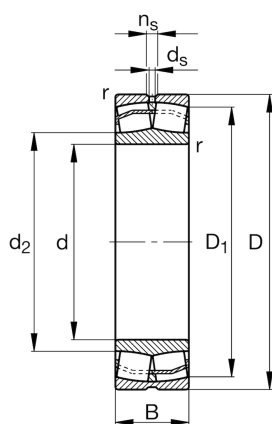
22205-E1-XL

Spherical roller bearing

Schaeffler ID:
0167032510000Spherical roller bearings 222...-E1, main
dimensions to DIN 635-2

X-life

Technical information

**Main Dimensions & Performance Data**

d	25 mm	Bore diameter
D	52 mm	Outside diameter
B	18 mm	Width
C_r	48.500 N	Basic dynamic load rating, radial
C_{0r}	42.500 N	Basic static load rating, radial
C_{ur}	4.900 N	Fatigue load limit, radial
n_G	14.400 1/min	Limiting speed
n_{gr}	9.200 1/min	Reference speed
	0,171 kg	Weight

Dimensions

r_{min}	1 mm	Minimum chamfer dimension
D_1	44,4 mm	Bore diameter outer ring
d_2	31,5 mm	Raceway diameter of the inner ring
d_s	3,2 mm	Diameter lubrication hole
n_s	4,8 mm	Width of lubricating groove

Mounting dimensions

$d_{a min}$	30,6 mm	Minimum diameter shaft shoulder
$D_{a max}$	46,4 mm	Maximum diameter of housing shoulder
$r_{a max}$	1 mm	Maximum recess radius

Calculation factors

e	0,33	Limiting value of F_a/F_r for the applicability of diff. Values of factors X and Y
Y_1	2,07	Dynamic axial load factor
Y_2	3,09	Dynamic axial load factor
Y_0	2,03	Static axial load factor

Temperature range

T _{min}	-30 °C	Operating temperature min.
T _{max}	200 °C	Operating temperature max.