



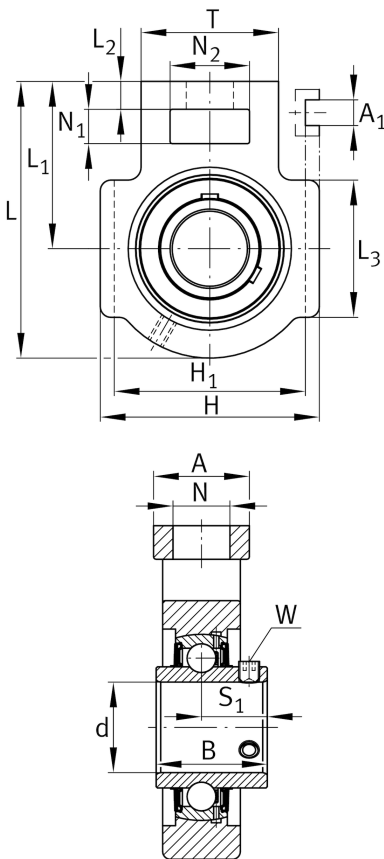
FAG

**UCT211**

Take-up housing unit

Schaeffler ID:  
0822486210000Housing units UCT, cast iron housing,  
radial insert ball bearing with grub screws  
in inner ring, RSR seals, for linear motion

## Technical information

**Dimensions**

L <sub>1</sub>	106 mm	Distance shaft axis
L <sub>2</sub>	19 mm	Length fixed link
L <sub>3</sub>	95 mm	Length guidance groove
A	64 mm	Width housing fixing side
N <sub>1</sub>	25 mm	Width recess
N <sub>2</sub>	64 mm	Height recess
B	55,6 mm	Width inner ring
S <sub>1</sub>	33,4 mm	Distance of raceway to locking collar
T	102 mm	Height housing fixing side
Q	M6	Connection thread lubrication
A <sub>2</sub>	38 mm	Width housing
	3,999 kg	Weight

**Main Dimensions & Performance Data**

d	55 mm	Bore diameter
H	146 mm	Height
L	171 mm	Length total

**Mounting dimensions**

A <sub>1</sub>	22 mm	Width guidance groove
	0,3 mm	Upper width guidance groove tolerance
	0 mm	Lower width guidance groove tolerance
H <sub>1</sub>	130 mm	Distance guidance grooves
	0 mm	Upper distance guidance groove tolerance
	-0,8 mm	Lower distance guidance groove tolerance
N	35 mm	Fixing bore

**Additional information**

T211	Housing
UC211	Bearing designation