



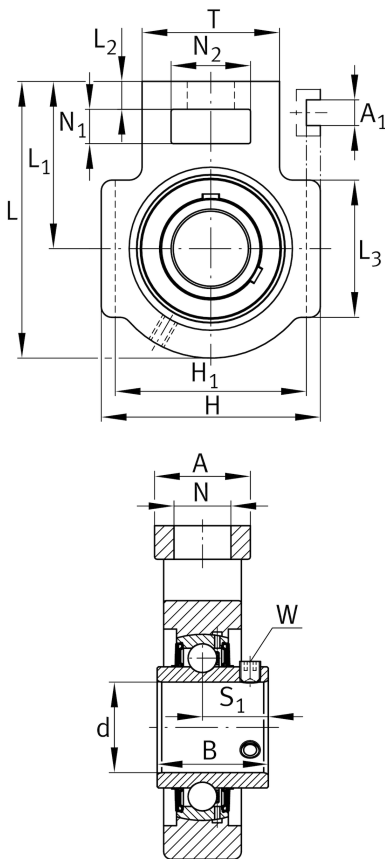
FAG

**UCT206**

Take-up housing unit

Schaeffler ID:  
0822003430000Housing units UCT, cast iron housing,  
radial insert ball bearing with grub screws  
in inner ring, RSR seals, for linear motion

## Technical information

**Dimensions**

$L_1$	70 mm	Distance shaft axis
$L_2$	10 mm	Length fixed link
$L_3$	57 mm	Length guidance groove
A	37 mm	Width housing fixing side
$N_1$	16 mm	Width recess
$N_2$	37 mm	Height recess
B	38,1 mm	Width inner ring
$S_1$	22,2 mm	Distance of raceway to locking collar
T	56 mm	Height housing fixing side
Q	M6	Connection thread lubrication
$A_2$	28 mm	Width housing
	1,3 kg	Weight

**Main Dimensions & Performance Data**

d	30 mm	Bore diameter
H	102 mm	Height
L	113 mm	Length total

**Mounting dimensions**

$A_1$	12 mm	Width guidance groove
	0,2 mm	Upper width guidance groove tolerance
	0 mm	Lower width guidance groove tolerance
$H_1$	89 mm	Distance guidance grooves
	0 mm	Upper distance guidance groove tolerance
	-0,5 mm	Lower distance guidance groove tolerance
N	22 mm	Fixing bore

**Additional information**

T206	Housing
UC206	Bearing designation