



FAG

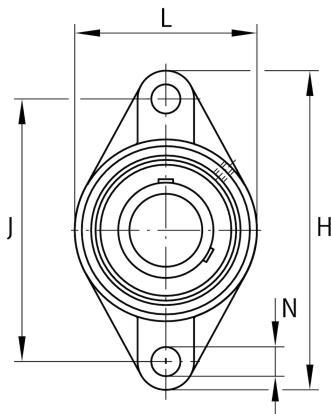
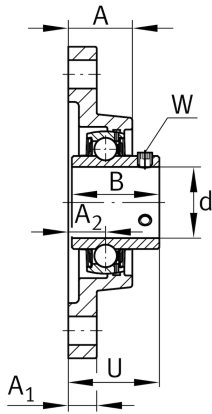
UCFL210

Flanged housing unit

Schaeffler ID:
0811476000000

Flanged housing unit UCFL

Technical information

**Dimensions**

A	40 mm	Height housing
A ₁	18 mm	Thickness of flange
A ₂	22 mm	Distance raceway
B	51,6 mm	Width
Q	M6	Connection thread lubrication
	2,28 kg	Weight

Main Dimensions & Performance Data

d	50 mm	Bore diameter
L	115 mm	Flange width
H	197 mm	Height flange
U	54,6 mm	Total height unit
C _r	35.000 N	Basic dynamic load rating, radial
C _{0r}	23.200 N	Basic static load rating, radial
C _{ur}	990 N	Fatigue load limit, radial

Mounting dimensions

J	157 mm	Distance fixing bore
J	138 mm	Pitch circle diameter (holes)
N	19 mm	Fixing bore
N ₁	97,6 mm	Distance fixing bore
n	2	Number of screwing holes

Additional information

	1	Number of housings
	FL210	Housing
	UC210	Bearing designation