

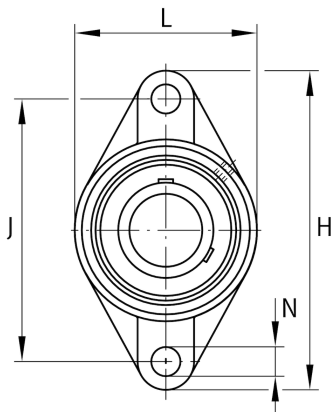
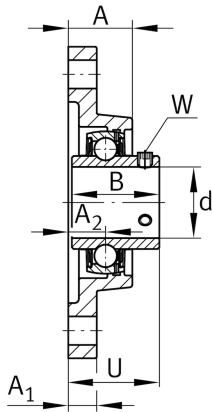
**FAG****UCFL209**

Flanged housing unit

Schaeffler ID:  
0811476510000

Flanged housing unit UCFL

## Technical information

**Dimensions**

A	38 mm	Height housing
A <sub>1</sub>	18 mm	Thickness of flange
A <sub>2</sub>	22 mm	Distance raceway
B	49,2 mm	Width
Q	M6	Connection thread lubrication
	1,662 kg	Weight

**Main Dimensions & Performance Data**

d	45 mm	Bore diameter
L	108 mm	Flange width
H	188 mm	Height flange
U	52,2 mm	Total height unit
C <sub>r</sub>	32.500 N	Basic dynamic load rating, radial
C <sub>0r</sub>	20.400 N	Basic static load rating, radial
C <sub>ur</sub>	870 N	Fatigue load limit, radial

**Mounting dimensions**

J	148 mm	Distance fixing bore
J	132 mm	Pitch circle diameter (holes)
N	19 mm	Fixing bore
N <sub>1</sub>	93,3 mm	Distance fixing bore
n	2	Number of screwing holes

**Additional information**

	1	Number of housings
	FL209	Housing
	UC209	Bearing designation