



FAG

## ★ UCFL208

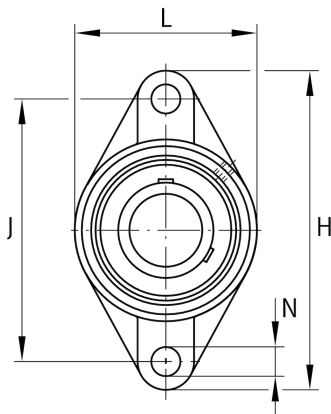
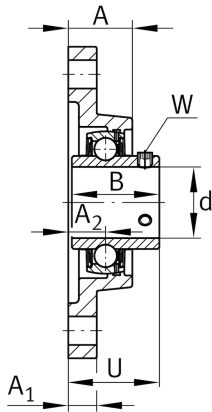
Flanged housing unit

Schaeffler ID:  
0808220700000

Flanged housing unit UCFL

★ Preferred product

## Technical information



## Main Dimensions &amp; Performance Data

d	40 mm	Bore diameter
L	100 mm	Flange width
H	175 mm	Height flange
U	51,2 mm	Total height unit
C <sub>r</sub>	32.500 N	Basic dynamic load rating, radial
C <sub>0r</sub>	19.800 N	Basic static load rating, radial
C <sub>ur</sub>	1.030 N	Fatigue load limit, radial
	1,455 kg	Weight

## Dimensions

A	36 mm	Height housing
	1	Number of housings
A <sub>1</sub>	16 mm	Thickness of flange
A <sub>2</sub>	21 mm	Distance raceway
	FL208	Housing
	UC208	Bearing designation
B	49,2 mm	Width
Q	M6	Connection thread lubrication

## Mounting dimensions

J	144 mm	Distance fixing bore
J	120 mm	Pitch circle diameter (holes)
N	16 mm	Fixing bore
N <sub>1</sub>	84,8 mm	Distance fixing bore
n	2	Number of screwing holes