



FAG

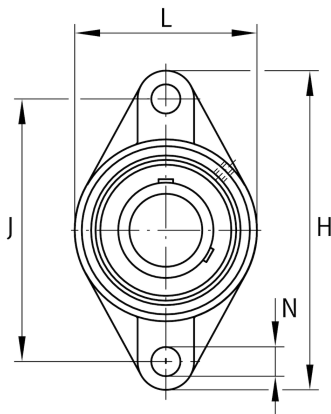
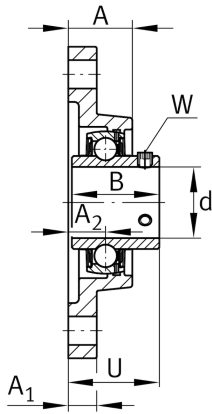
UCFL208

Flanged housing unit

Schaeffler ID:
0808220700000

Flanged housing unit UCFL

Technical information

**Dimensions**

A	36 mm	Height housing
A ₁	16 mm	Thickness of flange
A ₂	21 mm	Distance raceway
B	49,2 mm	Width
Q	M6	Connection thread lubrication
	1,455 kg	Weight

Main Dimensions & Performance Data

d	40 mm	Bore diameter
L	100 mm	Flange width
H	175 mm	Height flange
U	51,2 mm	Total height unit
C _r	32.500 N	Basic dynamic load rating, radial
C _{0r}	19.800 N	Basic static load rating, radial
C _{ur}	1.030 N	Fatigue load limit, radial

Mounting dimensions

J	144 mm	Distance fixing bore
J	120 mm	Pitch circle diameter (holes)
N	16 mm	Fixing bore
N ₁	84,8 mm	Distance fixing bore
n	2	Number of screwing holes

Additional information

	1	Number of housings
	FL208	Housing
	UC208	Bearing designation