

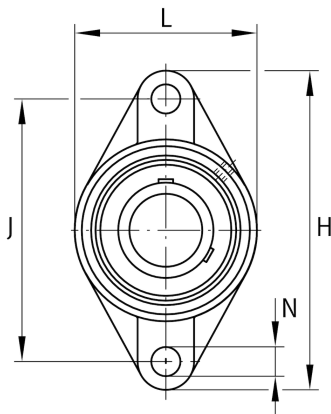
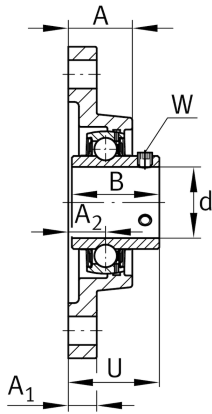
**FAG****UCFL206**

Flanged housing unit

Schaeffler ID:
0808215450000

Flanged housing unit UCFL

Technical information

**Dimensions**

A	31 mm	Height housing
A ₁	14 mm	Thickness of flange
A ₂	18 mm	Distance raceway
B	38,1 mm	Width
Q	M6	Connection thread lubrication
	0,916 kg	Weight

Main Dimensions & Performance Data

d	30 mm	Bore diameter
L	80 mm	Flange width
H	148 mm	Height flange
U	40,2 mm	Total height unit
C _r	19.500 N	Basic dynamic load rating, radial
C _{0r}	11.300 N	Basic static load rating, radial
C _{ur}	480 N	Fatigue load limit, radial

Mounting dimensions

J	117 mm	Distance fixing bore
J	100 mm	Pitch circle diameter (holes)
N	16 mm	Fixing bore
N ₁	70,7 mm	Distance fixing bore
n	2	Number of screwing holes

Additional information

	1	Number of housings
	FL206	Housing
	UC206	Bearing designation