

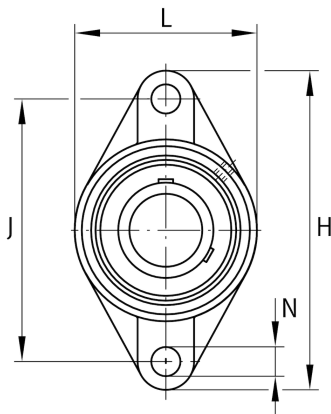
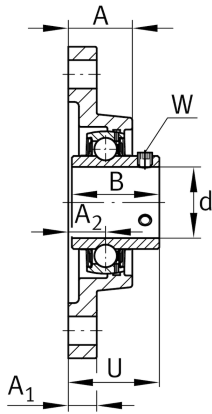
**FAG****UCFL204**

Flanged housing unit

Schaeffler ID:
0808205220000

Flanged housing unit UCFL

Technical information

**Dimensions**

A	25,5 mm	Height housing
A ₁	12 mm	Thickness of flange
A ₂	15 mm	Distance raceway
B	31 mm	Width
Q	M6	Connection thread lubrication
	0,43 kg	Weight

Main Dimensions & Performance Data

d	20 mm	Bore diameter
L	60 mm	Flange width
H	113 mm	Height flange
U	33,3 mm	Total height unit
C _r	12.800 N	Basic dynamic load rating, radial
C _{0r}	6.600 N	Basic static load rating, radial
C _{ur}	345 N	Fatigue load limit, radial

Mounting dimensions

J	90 mm	Distance fixing bore
J	78 mm	Pitch circle diameter (holes)
N	12 mm	Fixing bore
N ₁	55,1 mm	Distance fixing bore
n	2	Number of screwing holes

Additional information

	1	Number of housings
	FL204	Housing
	UC204	Bearing designation