

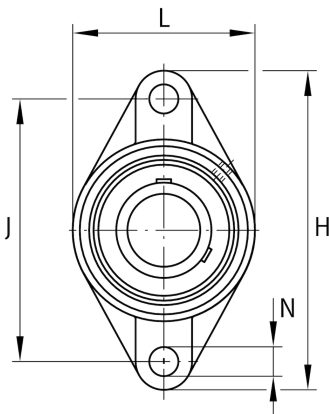
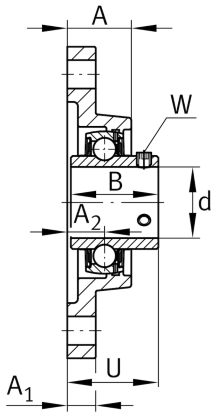
**FAG****UCFL203**

Flanged housing unit

Schaeffler ID:  
0821618440000

Flanged housing unit UCFL

## Technical information

**Dimensions**

A	25,5 mm	Height housing
A <sub>1</sub>	12 mm	Thickness of flange
A <sub>2</sub>	15 mm	Distance raceway
B	31 mm	Width
Q	M6	Connection thread lubrication
	450 g	Weight

**Main Dimensions & Performance Data**

d	17 mm	Bore diameter
L	60 mm	Flange width
H	113 mm	Height flange
U	33,3 mm	Total height unit
C <sub>r</sub>	12.800 N	Basic dynamic load rating, radial
C <sub>0r</sub>	6.600 N	Basic static load rating, radial
C <sub>ur</sub>	345 N	Fatigue load limit, radial

**Mounting dimensions**

J	90 mm	Distance fixing bore
J	78 mm	Pitch circle diameter (holes)
N	12 mm	Fixing bore
N <sub>1</sub>	55,1 mm	Distance fixing bore
n	2	Number of screwing holes

**Additional information**

	1	Number of housings
	FL203	Housing
	UC203	Bearing designation