

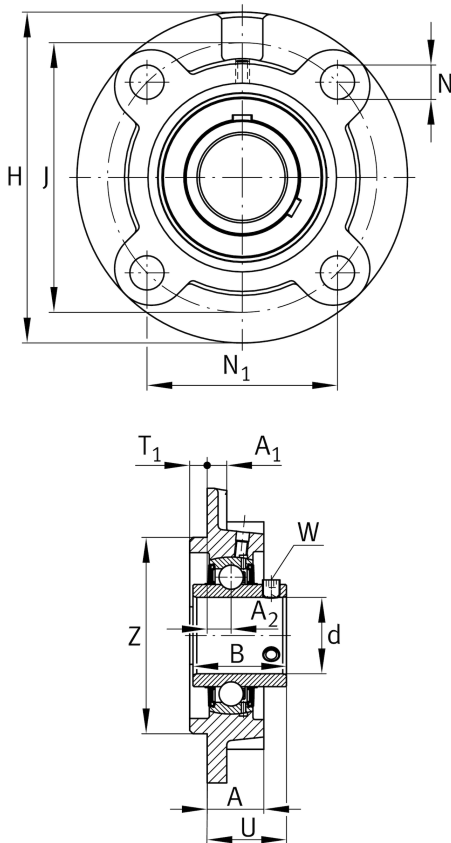
**FAG****UCFC212**

Flanged housing unit

Schaeffler ID:  
0822498220000

Flanged housing unit UCFC

## Technical information

**Dimensions**

|                |          |                               |
|----------------|----------|-------------------------------|
| A              | 36 mm    | Height housing                |
| A <sub>1</sub> | 15 mm    | Thickness of flange           |
| A <sub>2</sub> | 17 mm    | Distance raceway              |
| B              | 65,1 mm  | Width                         |
| Q              | M6       | Connection thread lubrication |
|                | 4,975 kg | Weight                        |

**Main Dimensions & Performance Data**

|                 |          |                                   |
|-----------------|----------|-----------------------------------|
| d               | 60 mm    | Bore diameter                     |
| H               | 195 mm   | Height flange                     |
| U               | 56,7 mm  | Total height unit                 |
| C <sub>r</sub>  | 52.000 N | Basic dynamic load rating, radial |
| C <sub>0r</sub> | 36.000 N | Basic static load rating, radial  |
| C <sub>ur</sub> | 1.530 N  | Fatigue load limit, radial        |

**Mounting dimensions**

|                |          |                               |
|----------------|----------|-------------------------------|
| J              | 160 mm   | Distance fixing bore          |
| J              | 160 mm   | Pitch circle diameter (holes) |
| N              | 19 mm    | Fixing bore                   |
| N <sub>1</sub> | 113,1 mm | Distance fixing bore          |
| T <sub>1</sub> | 12 mm    | Height spigot                 |
| Z              | 135 mm   | Diameter spigot               |
|                | h8       | Diameter spigot clearance     |
| n              | 4        | Number of screwing holes      |

**Additional information**

|  |       |                     |
|--|-------|---------------------|
|  | 1     | Number of housings  |
|  | FC212 | Housing             |
|  | UC212 | Bearing designation |