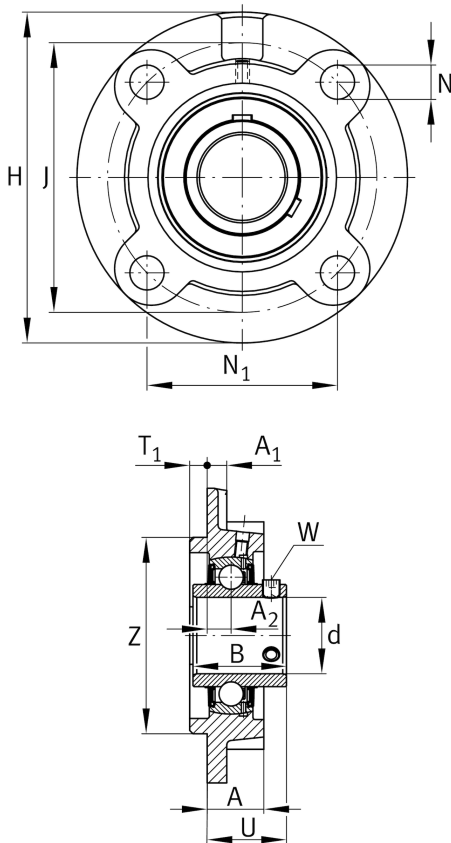
**FAG****UCFC210**

Flanged housing unit

Schaeffler ID:  
0822439640000

Flanged housing unit UCFC

## Technical information

**Dimensions**

A	28 mm	Height housing
A <sub>1</sub>	14 mm	Thickness of flange
A <sub>2</sub>	10 mm	Distance raceway
B	51,6 mm	Width
Q	M6	Connection thread lubrication
	3,052 kg	Weight

**Main Dimensions & Performance Data**

d	50 mm	Bore diameter
H	165 mm	Height flange
U	42,6 mm	Total height unit
C <sub>r</sub>	35.000 N	Basic dynamic load rating, radial
C <sub>0r</sub>	23.200 N	Basic static load rating, radial
C <sub>ur</sub>	990 N	Fatigue load limit, radial

**Mounting dimensions**

J	138 mm	Distance fixing bore
J	138 mm	Pitch circle diameter (holes)
N	16 mm	Fixing bore
N <sub>1</sub>	97,6 mm	Distance fixing bore
T <sub>1</sub>	12 mm	Height spigot
Z	110 mm	Diameter spigot
	h8	Diameter spigot clearance
n	4	Number of screwing holes

**Additional information**

	1	Number of housings
	FC210	Housing
	UC210	Bearing designation