

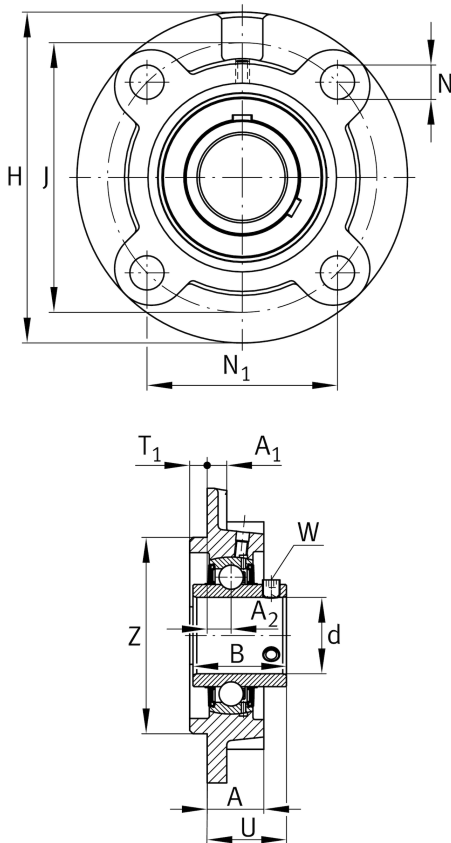
**FAG****UCFC208**

Flanged housing unit

Schaeffler ID:
0822285230000

Flanged housing unit UCFC

Technical information

**Dimensions**

A	26 mm	Height housing
A ₁	9 mm	Thickness of flange
A ₂	11 mm	Distance raceway
B	49,2 mm	Width
Q	M6	Connection thread lubrication
	2,079 kg	Weight

Main Dimensions & Performance Data

d	40 mm	Bore diameter
H	145 mm	Height flange
U	41,2 mm	Total height unit
C _r	32.500 N	Basic dynamic load rating, radial
C _{0r}	19.800 N	Basic static load rating, radial
C _{ur}	1.030 N	Fatigue load limit, radial

Mounting dimensions

J	120 mm	Distance fixing bore
J	120 mm	Pitch circle diameter (holes)
N	14 mm	Fixing bore
N ₁	84,8 mm	Distance fixing bore
T ₁	10 mm	Height spigot
Z	100 mm	Diameter spigot
	h8	Diameter spigot clearance
n	4	Number of screwing holes

Additional information

	1	Number of housings
	FC208	Housing
	UC208	Bearing designation