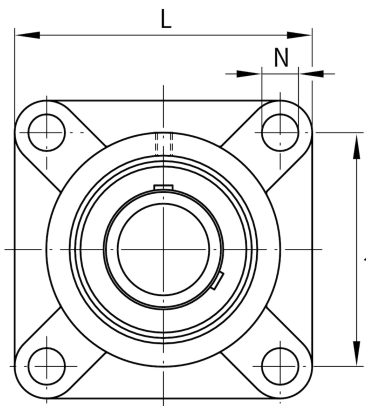
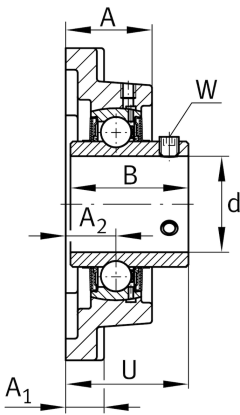
**FAG****UCF211**

Flanged housing unit

Schaeffler ID:  
0808222150000

Flanged housing unit UCF

## Technical information

**Dimensions**

|                |          |                               |
|----------------|----------|-------------------------------|
| A              | 43 mm    | Height housing                |
| A <sub>1</sub> | 20 mm    | Thickness of flange           |
| A <sub>2</sub> | 25 mm    | Distance raceway              |
| B              | 55,6 mm  | Width                         |
| Q              | M6       | Connection thread lubrication |
|                | 3,431 kg | Weight                        |

**Main Dimensions & Performance Data**

|                 |          |                                   |
|-----------------|----------|-----------------------------------|
| d               | 55 mm    | Bore diameter                     |
| L               | 163 mm   | Flange width                      |
| U               | 58,4 mm  | Total height unit                 |
| C <sub>r</sub>  | 43.500 N | Basic dynamic load rating, radial |
| C <sub>0r</sub> | 29.000 N | Basic static load rating, radial  |
| C <sub>ur</sub> | 1.240 N  | Fatigue load limit, radial        |

**Mounting dimensions**

|                |        |                          |
|----------------|--------|--------------------------|
| J              | 130 mm | Distance fixing bore     |
| N              | 19 mm  | Fixing bore              |
| N <sub>1</sub> | 130 mm | Distance fixing bore     |
| n              | 4      | Number of screwing holes |

**Additional information**

|  |       |                     |
|--|-------|---------------------|
|  | 1     | Number of housings  |
|  | F211  | Housing             |
|  | UC211 | Bearing designation |