

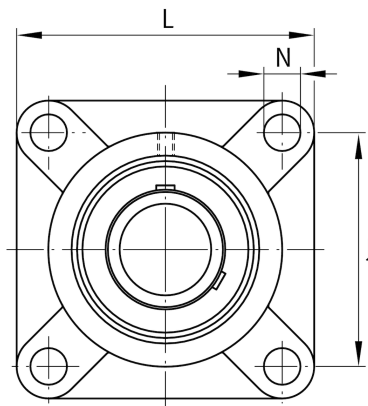
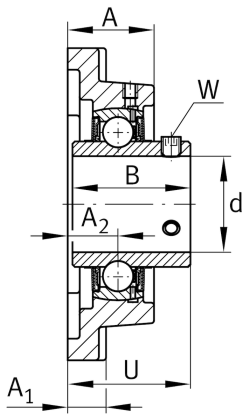
**FAG****UCF209**

Flanged housing unit

Schaeffler ID:
0808221260000

Flanged housing unit UCF

Technical information

**Dimensions**

A	38 mm	Height housing
A ₁	18 mm	Thickness of flange
A ₂	22 mm	Distance raceway
B	49,2 mm	Width
Q	M6	Connection thread lubrication
	2,3 kg	Weight

Main Dimensions & Performance Data

d	45 mm	Bore diameter
L	137 mm	Flange width
U	52,2 mm	Total height unit
C _r	32.500 N	Basic dynamic load rating, radial
C _{0r}	20.400 N	Basic static load rating, radial
C _{ur}	870 N	Fatigue load limit, radial

Mounting dimensions

J	105 mm	Distance fixing bore
N	16 mm	Fixing bore
N ₁	105 mm	Distance fixing bore
n	4	Number of screwing holes

Additional information

	1	Number of housings
	F209	Housing
	UC209	Bearing designation