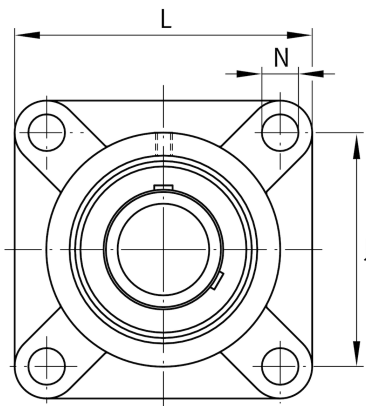
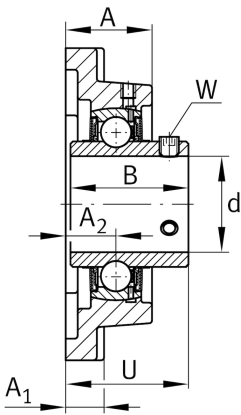
**FAG****UCF208**

Flanged housing unit

Schaeffler ID:
0808219440000

Flanged housing unit UCF

Technical information

**Dimensions**

A	36 mm	Height housing
A ₁	16 mm	Thickness of flange
A ₂	21 mm	Distance raceway
B	49,2 mm	Width
Q	M6	Connection thread lubrication
	1,934 kg	Weight

Main Dimensions & Performance Data

d	40 mm	Bore diameter
L	130 mm	Flange width
U	51,2 mm	Total height unit
C _r	32.500 N	Basic dynamic load rating, radial
C _{0r}	19.800 N	Basic static load rating, radial
C _{ur}	1.030 N	Fatigue load limit, radial

Mounting dimensions

J	102 mm	Distance fixing bore
N	16 mm	Fixing bore
N ₁	102 mm	Distance fixing bore
n	4	Number of screwing holes

Additional information

	1	Number of housings
	F208	Housing
	UC208	Bearing designation