

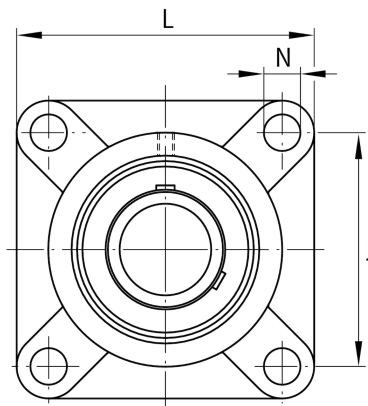
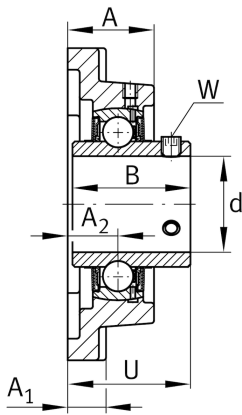
**FAG****UCF206**

Flanged housing unit

Schaeffler ID:  
0808214720000

Flanged housing unit UCF

## Technical information

**Dimensions**

A	31 mm	Height housing
A <sub>1</sub>	14 mm	Thickness of flange
A <sub>2</sub>	18 mm	Distance raceway
B	38,1 mm	Width
Q	M6	Connection thread lubrication
	1,11 kg	Weight

**Main Dimensions & Performance Data**

d	30 mm	Bore diameter
L	108 mm	Flange width
U	40,2 mm	Total height unit
C <sub>r</sub>	19.500 N	Basic dynamic load rating, radial
C <sub>0r</sub>	11.300 N	Basic static load rating, radial
C <sub>ur</sub>	480 N	Fatigue load limit, radial

**Mounting dimensions**

J	83 mm	Distance fixing bore
N	12 mm	Fixing bore
N <sub>1</sub>	83 mm	Distance fixing bore
n	4	Number of screwing holes

**Additional information**

	1	Number of housings
	F206	Housing
	UC206	Bearing designation