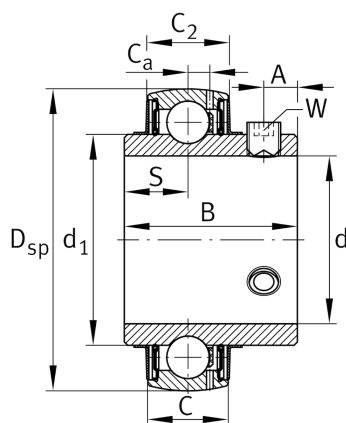


**FAG****UC208**

Radial insert ball bearing

Schaeffler ID:
0693658060000Radial insert ball bearings UC, spherical
outer ring, location by grub screws, RSR
seals on both sides

Technical information

**Main Dimensions & Performance Data**

d	40 mm	Bore diameter
D _{SP}	80 mm	Outside diameter
B	49,2 mm	Width
n _{G Grease}	10.300 1/min	Limiting speed for grease lubrication
C _r	32.500 N	Basic dynamic load rating, radial
C _{0r}	19.800 N	Basic static load rating, radial
C _{ur}	1.030 N	Fatigue load limit, radial
	0,619 kg	Weight

Dimensions

C	21 mm	Width, outer ring
C ₂	21,6 mm	Sealing total width
S	19 mm	Distance raceway
d ₁	52,27 mm	Rib diameter inner ring
C _a	6,2 mm	Distance to lubrication hole
A	8 mm	Distance thread
W	4 mm	Width of flats

Calculation factors

f ₀	13,6	Calculation factor
----------------	------	--------------------