

RSHEY30-XL-N

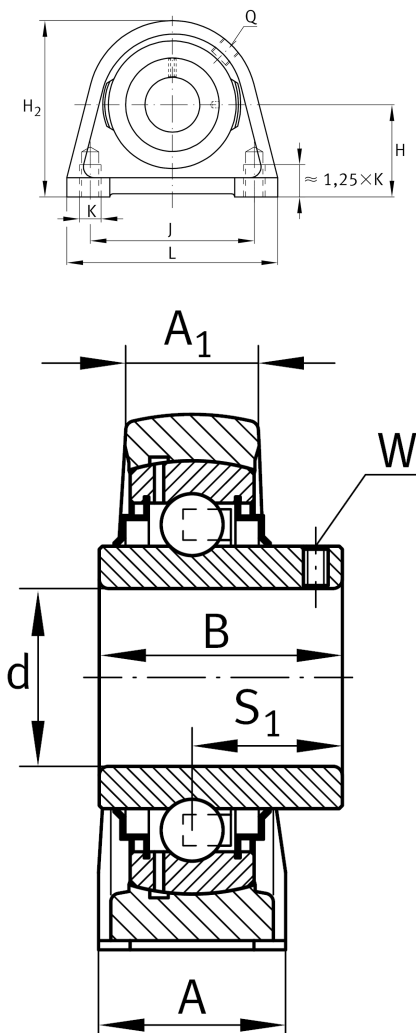
Plummer block housing unit

Schaeffler ID:
0945556300000

Plummer block housing units RSHEY, cast iron housing, radial insert ball bearing with grub screws in inner ring, R seals

X-life

Technical information



Dimensions

H	42,9 mm	Distance shaft axis
A	40 mm	Width (base)
A ₁	25 mm	Width (head)
Q	M6	Connection thread lubrication
B	38,1 mm	Width of inner ring
S ₁	22,2 mm	Distance of raceway to locking collar
	0,94 kg	Weight

Main Dimensions & Performance Data

d	30 mm	Bore diameter
L	98 mm	Length total
H ₂	82 mm	Height

Mounting dimensions

J	76,2 mm	Distance fixing bore
K	M10	Thread fixing bore

Additional information

SHE06	Housing
GYE30-XL-KRR-B	Bearing designation
KASK06	Protecting cap