



RMEY70-XL

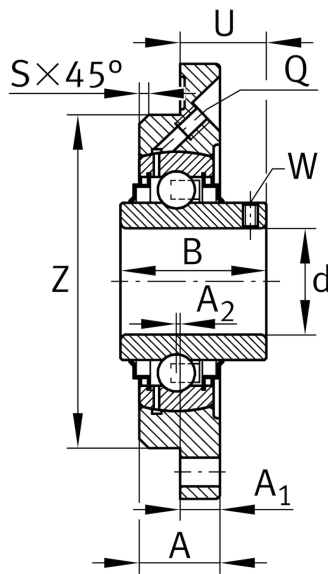
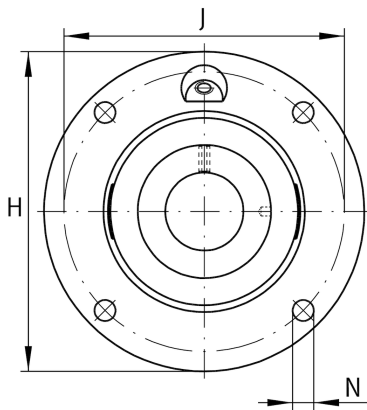
Flanged housing unit

Schaeffler ID:
0009504160000

Housing units RMEY, four-bolt flanged housing units, cast iron, centring spigot, grub screws in inner ring, R seals

X-life

Technical information



Dimensions

A	32 mm	Height housing
A ₁	18 mm	Thickness of flange
B	74,6 mm	Width
S	6 mm	Chamfer width
Q	Rp1/8	Connection thread lubrication
	4,85 kg	Weight

Main Dimensions & Performance Data

d	70 mm	Bore diameter
H	215 mm	Height flange
U	44,4 mm	Total height unit
C _r	66.000 N	Basic dynamic load rating, radial
C _{0r}	44.000 N	Basic static load rating, radial
C _{ur}	2.300 N	Fatigue load limit, radial

Mounting dimensions

J	177 mm	Pitch circle diameter (holes)
N	18 mm	Fixing bore
Z	150 mm	Diameter spigot
	h8	Diameter spigot clearance
n	4	Number of screwing holes

Additional information

	1	Number of housings
	GG.ME14	Housing
	GYE70-XL-KRR-B	Bearing designation