



## RCJY50-XL-N

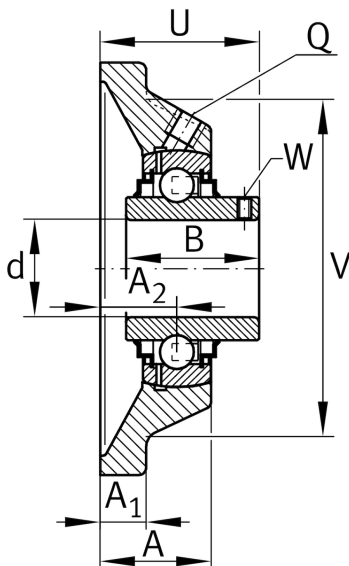
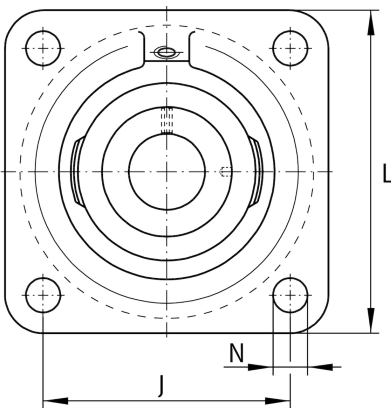
### Flanged housing unit

Schaeffler ID:  
0009361700000

Housing units RCJY, four-bolt flanged housing units, cast iron, grub screws in inner ring, R seals

X-life

### Technical information



#### Dimensions

A	41 mm	Height housing
A <sub>1</sub>	13 mm	Thickness of flange
A <sub>2</sub>	28 mm	Distance raceway
B	51,6 mm	Width
V	119 mm	Shoulder diameter housing
Q	M6	Connection thread lubrication
	2,44 kg	Weight

#### Main Dimensions & Performance Data

d	50 mm	Bore diameter
L	143 mm	Flange width
U	60,6 mm	Total height unit
C <sub>r</sub>	37.500 N	Basic dynamic load rating, radial
C <sub>0r</sub>	23.200 N	Basic static load rating, radial
C <sub>ur</sub>	1.210 N	Fatigue load limit, radial

#### Mounting dimensions

J	111 mm	Distance fixing bore
N	18 mm	Fixing bore
n	4	Number of screwing holes

#### Additional information

1	Number of housings
CJ10	Housing
GYE50-XL-KRR-B	Bearing designation
KASK10	Protecting cap