



## RCJY45-XL

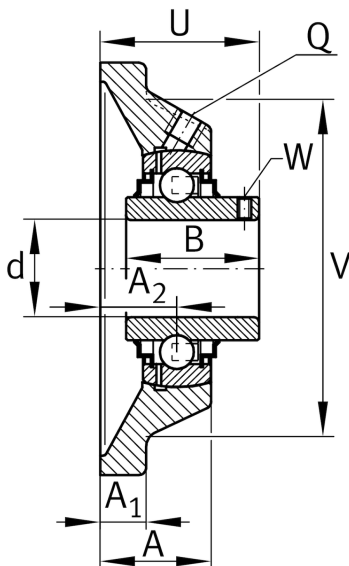
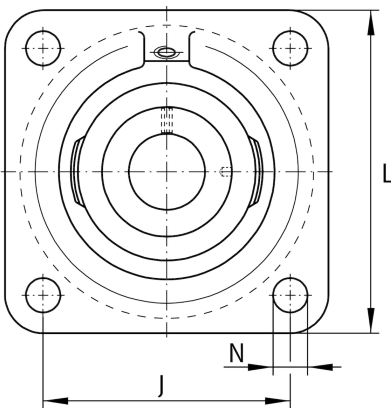
### Flanged housing unit

Schaeffler ID:  
0008737990000

Housing units RCJY, four-bolt flanged housing units, cast iron, grub screws in inner ring, R seals

X-life

### Technical information



#### Dimensions

A	35 mm	Height housing
A <sub>1</sub>	13 mm	Thickness of flange
A <sub>2</sub>	24 mm	Distance raceway
B	49,2 mm	Width
V	116 mm	Shoulder diameter housing
Q	Rp1/8	Connection thread lubrication
	2,15 kg	Weight

#### Main Dimensions & Performance Data

d	45 mm	Bore diameter
L	137 mm	Flange width
U	54,2 mm	Total height unit
C <sub>r</sub>	34.500 N	Basic dynamic load rating, radial
C <sub>0r</sub>	20.400 N	Basic static load rating, radial
C <sub>ur</sub>	680 N	Fatigue load limit, radial

#### Mounting dimensions

J	105 mm	Distance fixing bore
N	14 mm	Fixing bore
n	4	Number of screwing holes

#### Additional information

	1	Number of housings
	CJ09	Housing
	GYE45-XL-KRR-B	Bearing designation