



RCJY35-XL-N

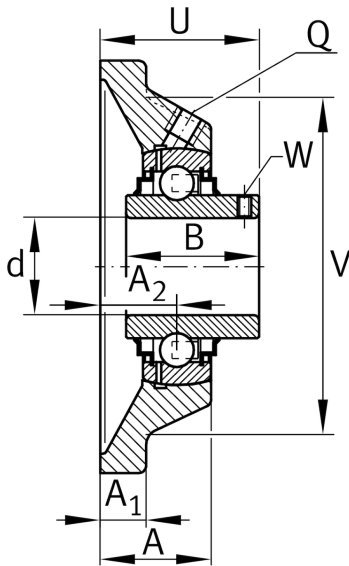
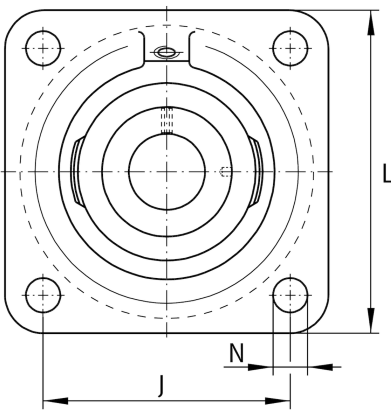
Flanged housing unit

Schaeffler ID:
0008584120000

Housing units RCJY, four-bolt flanged housing units, cast iron, grub screws in inner ring, R seals

X-life

Technical information



Dimensions

A	30,5 mm	Height housing
A ₁	12,5 mm	Thickness of flange
A ₂	21 mm	Distance raceway
B	42,9 mm	Width
V	100 mm	Shoulder diameter housing
Q	M6	Connection thread lubrication
	1,41 kg	Weight

Main Dimensions & Performance Data

d	35 mm	Bore diameter
L	118 mm	Flange width
U	46,4 mm	Total height unit
C _r	27.500 N	Basic dynamic load rating, radial
C _{0r}	15.300 N	Basic static load rating, radial
C _{ur}	650 N	Fatigue load limit, radial

Mounting dimensions

J	92 mm	Distance fixing bore
N	14 mm	Fixing bore
n	4	Number of screwing holes

Additional information

1	Number of housings
CJ07	Housing
GYE35-XL-KRR-B	Bearing designation
KASK07	Protecting cap