



RCJY20-XL-N

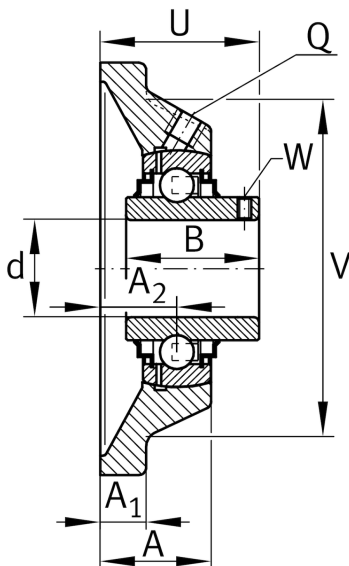
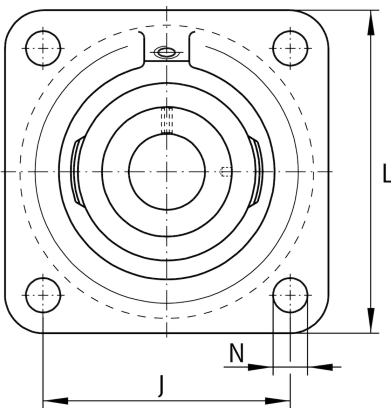
Flanged housing unit

Schaeffler ID:
0008583900000

Housing units RCJY, four-bolt flanged housing units, cast iron, grub screws in inner ring, R seals

X-life

Technical information



Dimensions

A	29 mm	Height housing
A ₁	10 mm	Thickness of flange
A ₂	19 mm	Distance raceway
B	31 mm	Width
V	68 mm	Shoulder diameter housing
Q	M6	Connection thread lubrication
	0,57 kg	Weight

Main Dimensions & Performance Data

d	20 mm	Bore diameter
L	86 mm	Flange width
U	37,3 mm	Total height unit
C _r	13.600 N	Basic dynamic load rating, radial
C _{0r}	6.600 N	Basic static load rating, radial
C _{ur}	345 N	Fatigue load limit, radial

Mounting dimensions

J	63,5 mm	Distance fixing bore
N	11.5 mm	Fixing bore
n	4	Number of screwing holes

Additional information

1	Number of housings
CJ04	Housing
GYE20-XL-KRR-B	Bearing designation
KASK04	Protecting cap