



RCJTZ35-XL

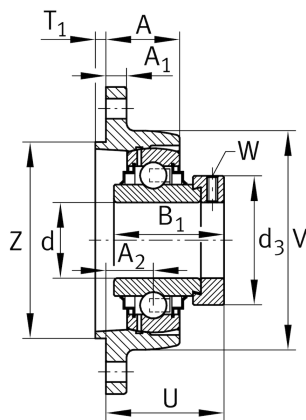
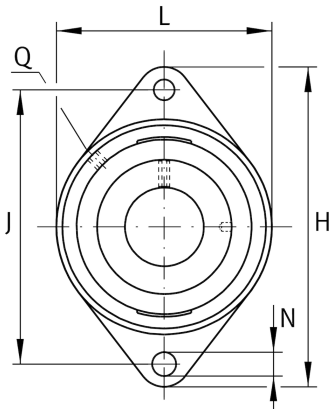
Flanged housing unit

Schaeffler ID:
0008316970000

Housing units RCJTZ, two-bolt flanged housing units, cast iron, centring spigot, eccentric locking collar, R seals

X-life

Technical information



Additional information

1	Number of housings
CJTZ07	Housing
GE35-XL-KRR-B	Bearing designation
1,27 kg	Weight

Main Dimensions & Performance Data

d	35 mm	Bore diameter
L	94 mm	Flange width
H	155 mm	Height flange
U	49,5 mm	Total height unit
C _r	27.500 N	Basic dynamic load rating, radial
C _{0r}	15.300 N	Basic static load rating, radial
C _{ur}	800 N	Fatigue load limit, radial

Dimensions

A	26,5 mm	Height housing
A ₁	12,5 mm	Thickness of flange
A ₂	17 mm	Distance raceway
V	94 mm	Shoulder diameter housing
Q	Rp1/8	Connection thread lubrication
d ₃	55 mm	Outside diameter eccentric locking collar

Mounting dimensions

J	130 mm	Distance fixing bore
N	14 mm	Fixing bore
T ₁	4 mm	Height spigot
Z	90 mm	Diameter spigot
	h8	Diameter spigot clearance
n	2	Number of screwing holes