



## RCJTY50-XL-N-I

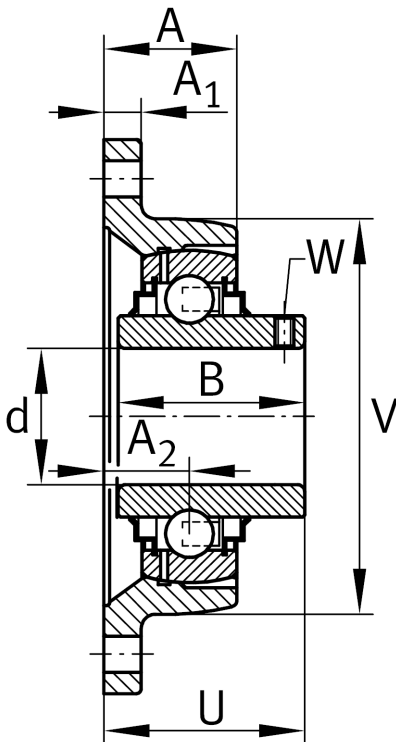
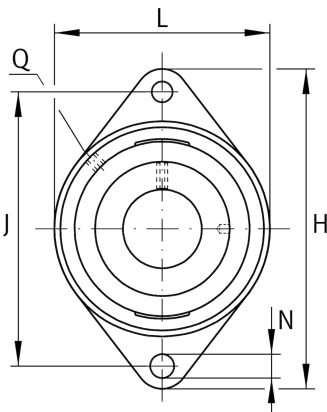
### Flanged housing unit

Schaeffler ID:  
0008645600000

Housing units RCJTY, two-bolt flanged housing units, cast iron, grub screws in inner ring, R seals

X-life

### Technical information



#### Additional information

1	Number of housings
CJT10	Housing
GYE50-XL-KRR-B	Bearing designation
KASK10	Protecting cap
2 kg	Weight

#### Main Dimensions & Performance Data

d	50 mm	Bore diameter
L	116 mm	Flange width
H	190 mm	Height flange
U	60,6 mm	Total height unit
$C_r$	37.500 N	Basic dynamic load rating, radial
$C_{0r}$	23.200 N	Basic static load rating, radial
$C_{ur}$	1.210 N	Fatigue load limit, radial

#### Dimensions

A	39 mm	Height housing
$A_1$	13 mm	Thickness of flange
$A_2$	28 mm	Distance raceway
B	51,6 mm	Width
V	116 mm	Shoulder diameter housing
Q	Rp1/8	Connection thread lubrication

#### Mounting dimensions

J	157 mm	Distance fixing bore
N	18 mm	Fixing bore
n	2	Number of screwing holes