



## RCJTY40-XL-N

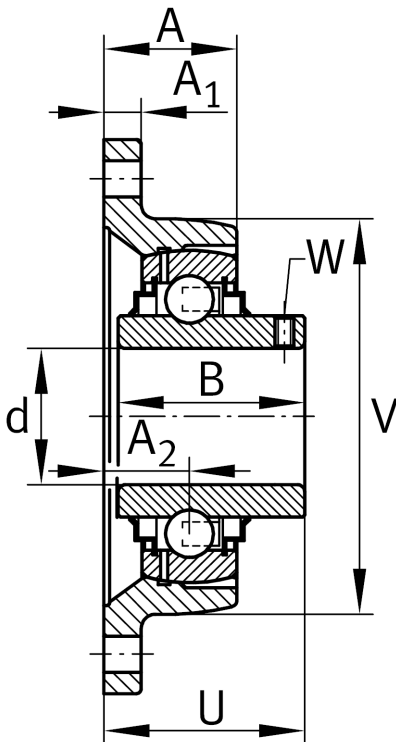
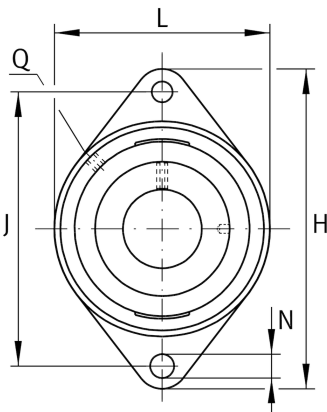
### Flanged housing unit

Schaeffler ID:  
0008645440000

Housing units RCJTY, two-bolt flanged housing units, cast iron, grub screws in inner ring, R seals

X-life

#### Technical information



#### Dimensions

A	34,5 mm	Height housing
A <sub>1</sub>	13 mm	Thickness of flange
A <sub>2</sub>	24 mm	Distance raceway
B	49,2 mm	Width
V	105 mm	Shoulder diameter housing
Q	Rp1/8	Connection thread lubrication
	1,57 kg	Weight

#### Main Dimensions & Performance Data

d	40 mm	Bore diameter
L	105 mm	Flange width
H	172 mm	Height flange
U	54,2 mm	Total height unit
C <sub>r</sub>	34.500 N	Basic dynamic load rating, radial
C <sub>0r</sub>	19.800 N	Basic static load rating, radial
C <sub>ur</sub>	840 N	Fatigue load limit, radial

#### Mounting dimensions

J	143,5 mm	Distance fixing bore
N	14 mm	Fixing bore
n	2	Number of screwing holes

#### Additional information

1	Number of housings
CJT08	Housing
GYE40-XL-KRR-B	Bearing designation
KASK08	Protecting cap