



RCJTY30-XL-N

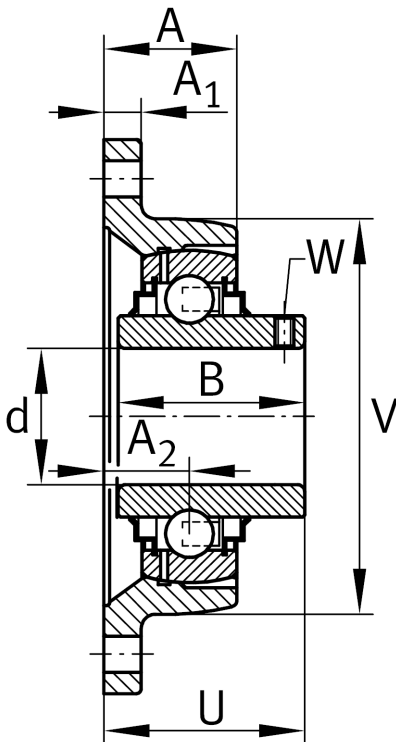
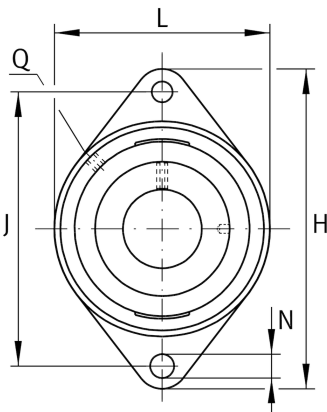
Flanged housing unit

Schaeffler ID:
0008687790000

Housing units RCJTY, two-bolt flanged housing units, cast iron, grub screws in inner ring, R seals

X-life

Technical information



Dimensions

A	29 mm	Height housing
A ₁	12 mm	Thickness of flange
A ₂	20 mm	Distance raceway
B	38,1 mm	Width
V	80 mm	Shoulder diameter housing
Q	M6	Connection thread lubrication
	0,83 kg	Weight

Main Dimensions & Performance Data

d	30 mm	Bore diameter
L	80 mm	Flange width
H	142 mm	Height flange
U	42,2 mm	Total height unit
C _r	19.500 N	Basic dynamic load rating, radial
C _{0r}	11.300 N	Basic static load rating, radial
C _{ur}	480 N	Fatigue load limit, radial

Mounting dimensions

J	116,5 mm	Distance fixing bore
N	11.5 mm	Fixing bore
n	2	Number of screwing holes

Additional information

1	Number of housings
CJT06	Housing
GYE30-XL-KRR-B	Bearing designation
KASK06	Protecting cap