



RCJTY25-XL-N

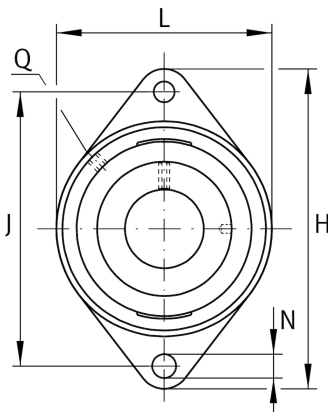
Flanged housing unit

Schaeffler ID:
0008585870000

Housing units RCJTY, two-bolt flanged housing units, cast iron, grub screws in inner ring, R seals

X-life

Technical information



Dimensions

A	26,5 mm	Height housing
A ₁	11 mm	Thickness of flange
A ₂	19 mm	Distance raceway
B	34,1 mm	Width
V	70 mm	Shoulder diameter housing
Q	M6	Connection thread lubrication
	0,58 kg	Weight

Main Dimensions & Performance Data

d	25 mm	Bore diameter
L	70 mm	Flange width
H	124 mm	Height flange
U	38,8 mm	Total height unit
C _r	14.900 N	Basic dynamic load rating, radial
C _{0r}	7.800 N	Basic static load rating, radial
C _{ur}	410 N	Fatigue load limit, radial

Mounting dimensions

J	99 mm	Distance fixing bore
N	11,5 mm	Fixing bore
n	2	Number of screwing holes

Additional information

1	Number of housings
CJT05	Housing
GYE25-XL-KRR-B	Bearing designation
KASK05	Protecting cap

