



## RCJL40-XL-N

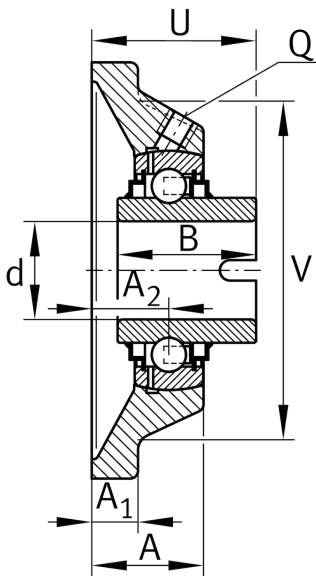
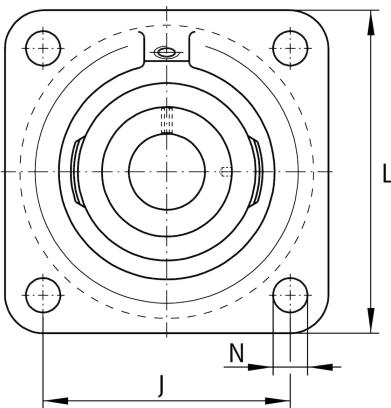
### Flanged housing unit

Schaeffler ID:  
0008489480000

Housing units RCJL, four-bolt flanged housing units, cast iron, non-locating bearing, drive slot on inner ring, R seals

X-life

### Technical information



#### Dimensions

A	36,5 mm	Height housing
A <sub>1</sub>	13 mm	Thickness of flange
A <sub>2</sub>	24 mm	Distance raceway
V	110 mm	Shoulder diameter housing
Q	M6	Connection thread lubrication
	1,86 kg	Weight

#### Main Dimensions & Performance Data

d	40 mm	Bore diameter
L	130 mm	Flange width
U	51 mm	Total height unit
C <sub>r</sub>	32.500 N	Basic dynamic load rating, radial
C <sub>0r</sub>	19.800 N	Basic static load rating, radial
C <sub>ur</sub>	910 N	Fatigue load limit, radial

#### Mounting dimensions

J	101,5 mm	Distance fixing bore
N	14 mm	Fixing bore
n	4	Number of screwing holes

#### Additional information

1	Number of housings
CJ08	Housing
GLE40-XL-KRR-B	Bearing designation
KASK08	Protecting cap