



RCJ75-XL

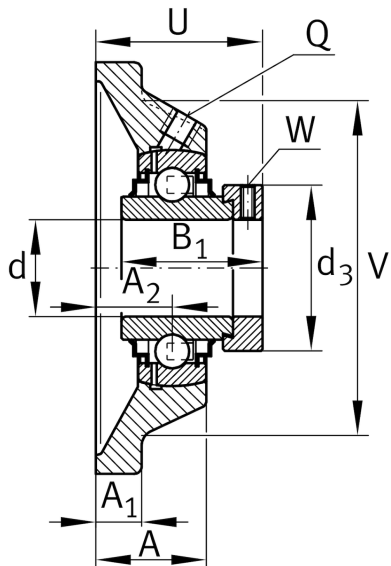
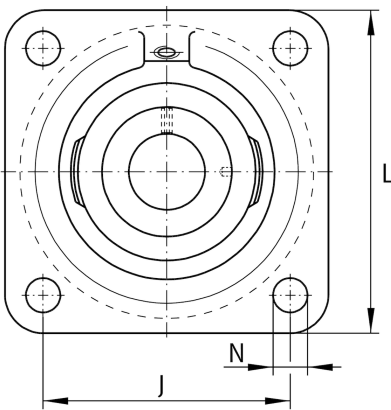
Flanged housing unit

Schaeffler ID:
0008775140000

Housing units RCJ, four-bolt flanged housing units, cast iron, eccentric locking collar, R seals

X-life

Technical information



Dimensions

A	55,8 mm	Height housing
A ₁	20 mm	Thickness of flange
A ₂	41,3 mm	Distance raceway
V	170 mm	Shoulder diameter housing
Q	M6	Connection thread lubrication
d ₃	100 mm	Outside diameter eccentric locking collar
	5,501 kg	Weight

Main Dimensions & Performance Data

d	75 mm	Bore diameter
L	197 mm	Flange width
U	86,9 mm	Total height unit
C _r	66.000 N	Basic dynamic load rating, radial
C _{0r}	44.500 N	Basic static load rating, radial
C _{ur}	2.300 N	Fatigue load limit, radial

Mounting dimensions

J	153 mm	Distance fixing bore
N	23 mm	Fixing bore
n	4	Number of screwing holes

Additional information

	1	Number of housings
	CJ15	Housing
	GE75-XL-KRR-B	Bearing designation