



## RCJ100-XL

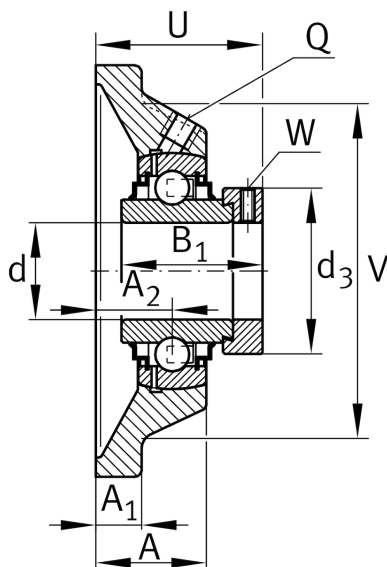
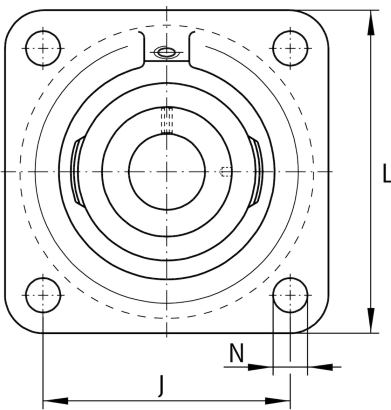
### Flanged housing unit

Schaeffler ID:  
0008776110000

Housing units RCJ, four-bolt flanged housing units, cast iron, eccentric locking collar, R seals

X-life

## Technical information



### Dimensions

A	46 mm	Height housing
A <sub>1</sub>	25 mm	Thickness of flange
A <sub>2</sub>	28 mm	Distance raceway
V	230 mm	Shoulder diameter housing
Q	M6	Connection thread lubrication
d <sub>3</sub>	132 mm	Outside diameter eccentric locking collar
	12,25 kg	Weight

### Main Dimensions & Performance Data

d	100 mm	Bore diameter
L	265 mm	Flange width
U	77,5 mm	Total height unit
C <sub>r</sub>	130.000 N	Basic dynamic load rating, radial
C <sub>0r</sub>	93.000 N	Basic static load rating, radial
C <sub>ur</sub>	4.100 N	Fatigue load limit, radial

### Mounting dimensions

J	210 mm	Distance fixing bore
N	27 mm	Fixing bore
n	4	Number of screwing holes

### Additional information

	1	Number of housings
	CJ20	Housing
	GE100-XL-KRR-B	Bearing designation