



RASEY60-XL-N

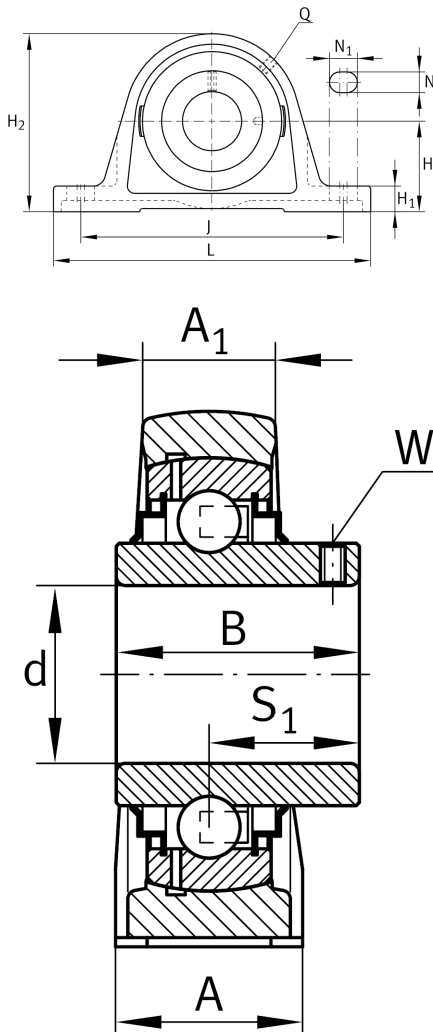
Plummer block housing unit

Schaeffler ID:
0945710660000

Plummer block housing units RASEY, cast iron housing, radial insert ball bearing with grub screws in inner ring, R seals

X-life

Technical information



Dimensions

H	69,9 mm	Distance shaft axis
A	60 mm	Width (base)
A ₁	42 mm	Width (head)
H ₁	25 mm	Height (base)
B	65,1 mm	Width
S ₁	39,7 mm	Distance of raceway to locking collar
Q	M6	Connection thread lubrication
	4,42 kg	Weight

Main Dimensions & Performance Data

d	60 mm	Bore diameter
L	240 mm	Length total
H ₂	140 mm	Height

Mounting dimensions

J	190 mm	Distance fixing bore
N	18 mm	Width (slot)
N ₁	28 mm	Length (slot)

Additional information

ASE12	Housing
GYE60-XL-KRR-B	Bearing designation
KASK12	Protecting cap