



## RASEY45-XL

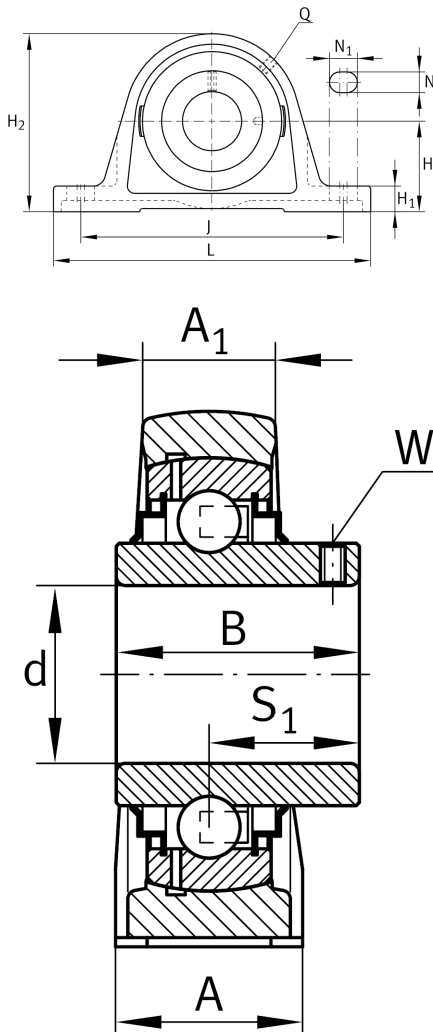
Plummer block housing unit

Schaeffler ID:  
0008585950000

Plummer block housing units RASEY, cast iron housing, radial insert ball bearing with grub screws in inner ring, R seals

X-life

### Technical information



#### Dimensions

H	54 mm	Distance shaft axis
A	48 mm	Width (base)
A <sub>1</sub>	32 mm	Width (head)
H <sub>1</sub>	21,5 mm	Height (base)
B	49,2 mm	Width
S <sub>1</sub>	30,2 mm	Distance of raceway to locking collar
Q	M6	Connection thread lubrication
	2,16 kg	Weight

#### Main Dimensions & Performance Data

d	45 mm	Bore diameter
L	192 mm	Length total
H <sub>2</sub>	107 mm	Hight

#### Mounting dimensions

J	149,65 mm	Distance fixing bore
N	14 mm	Width (slot)
N <sub>1</sub>	29 mm	Length (slot)

#### Additional information

ASE09	Housing
GYE45-XL-KRR-B	Bearing designation