



PMEY60-XL-N

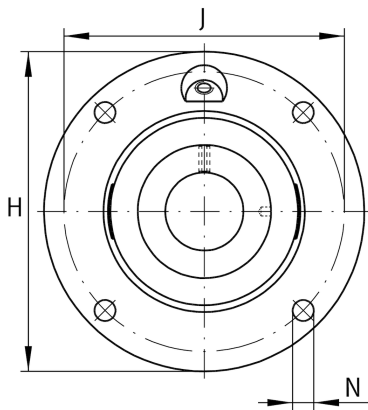
Flanged housing unit

Schaeffler ID:
0009491160000

Housing units PMEY, four-bolt flanged housing units, cast iron, centring spigot, grub screws in inner ring, P seals

X-life

Technical information



Dimensions

| | | |
|----------------|--------|-------------------------------|
| A | 29 mm | Height housing |
| A ₁ | 16 mm | Thickness of flange |
| A ₂ | 1 mm | Distance raceway |
| B | 47 mm | Width |
| S | 3 mm | Chamfer width |
| Q | M6 | Connection thread lubrication |
| | 3,4 kg | Weight |

Main Dimensions & Performance Data

| | | |
|-----------------|----------|-----------------------------------|
| d | 60 mm | Bore diameter |
| H | 195 mm | Height flange |
| U | 33 mm | Total height unit |
| C _r | 56.000 N | Basic dynamic load rating, radial |
| C _{0r} | 36.000 N | Basic static load rating, radial |
| C _{ur} | 1.530 N | Fatigue load limit, radial |

Mounting dimensions

| | | |
|---|--------|-------------------------------|
| J | 160 mm | Pitch circle diameter (holes) |
| N | 18 mm | Fixing bore |
| Z | 135 mm | Diameter spigot |
| | h8 | Diameter spigot clearance |
| n | 4 | Number of screwing holes |

Additional information

| | | |
|--|----------------|---------------------|
| | 1 | Number of housings |
| | ME12 | Housing |
| | GAY60-XL-NPP-B | Bearing designation |
| | KASK12 | Protecting cap |

